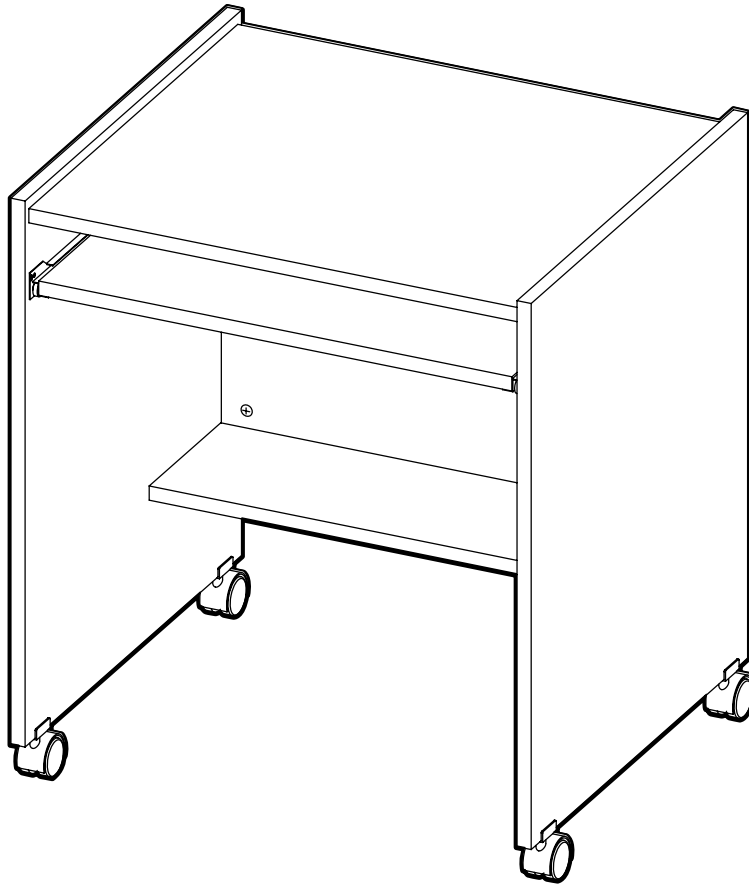




IRONWOOD

CUB

COMPUTER STAND



IMPORTANT!

Assembly may require the assistance of another person.

Before you begin assembly:

READ THE DIRECTIONS all the way through one time. This will speed up the process and help you understand the sequence of steps.

COUNT THE PARTS AND HARDWARE before assembly. This ensures you have received all necessary parts before you begin.

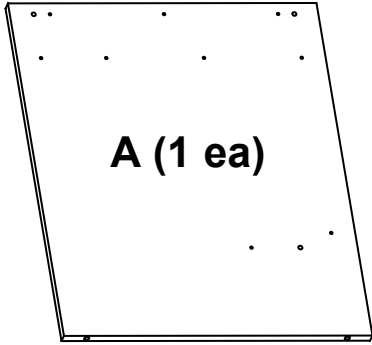
TOOLS: You may need a Phillips head screwdriver, a medium slotted screwdriver or a plastic mallet. To protect your new furniture from damage during assembly, it is recommended to work on a carpeted surface.

In the event any parts are missing from this package, send your name, address, telephone number, and a description of the missing part(s) to: PARTS, Box 1420, Missoula, MT 59806 or call: 1-800-769-5693 or FAX 1-800-445-5281.

CAUTION: On assemblies requiring glue, make sure the unit is assembled correctly before gluing. Once this unit is assembled with glue, the manufacturer will not be responsible for damaged parts. Keep a damp cloth or sponge handy to wipe off excess glue.

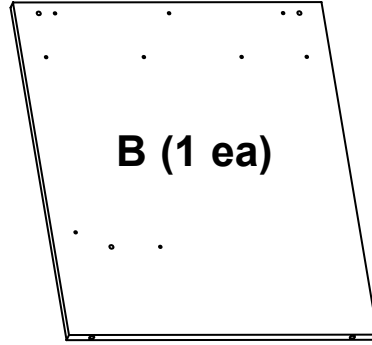
To care for this furniture, simply wipe with a cloth dampened with glass cleaner containing ammonia-D.

PARTS DIAGRAM



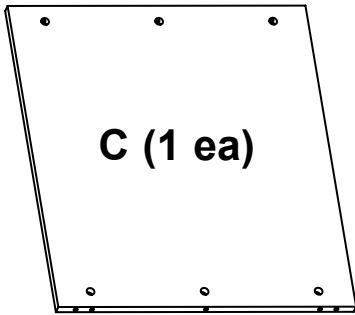
A (1 ea)

Left Side	05841341
-----------	----------



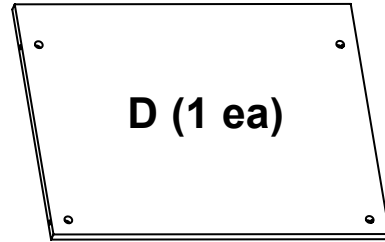
B (1 ea)

Right Side	05841341
------------	----------



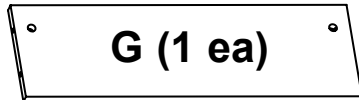
C (1 ea)

Top	05840301
-----	----------



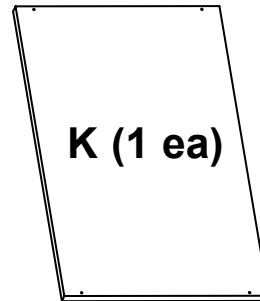
D (1 ea)

Back	05841352
------	----------



G (1 ea)

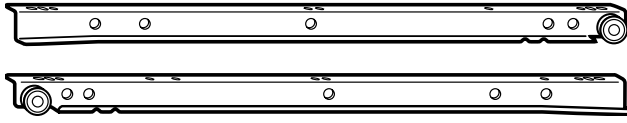
Storage Shelf	05840332
---------------	----------



K (1 ea)

Keyboard Shelf	05840328
----------------	----------

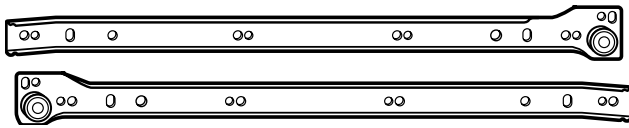
HARDWARE



S4

Drawer Slide	490260	1 pr.
--------------	--------	-------

S3



S1

Slide Channel	490260	1 pr.
---------------	--------	-------

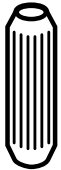
S2



H1	Varianta Screw	988060	6 ea.
----	----------------	--------	-------



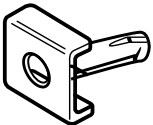
H2	Minifix Bolt	909834	12 ea.
----	--------------	--------	--------



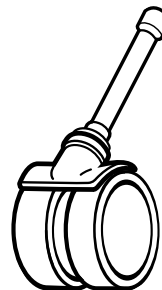
H3	Wood Dowel	195000	6 ea.
----	------------	--------	-------



H4	Minifix Cam	909810	12 ea.
----	-------------	--------	--------



H5	Socket Bracket	402301	4 ea.
----	----------------	--------	-------



H6	Stem Caster	402290	4 ea.
----	-------------	--------	-------

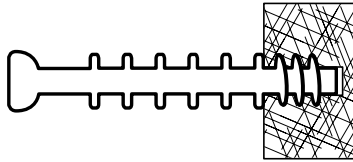


H7	Panhead Screw	901216	4 ea.
----	---------------	--------	-------

Using the Minifix System:

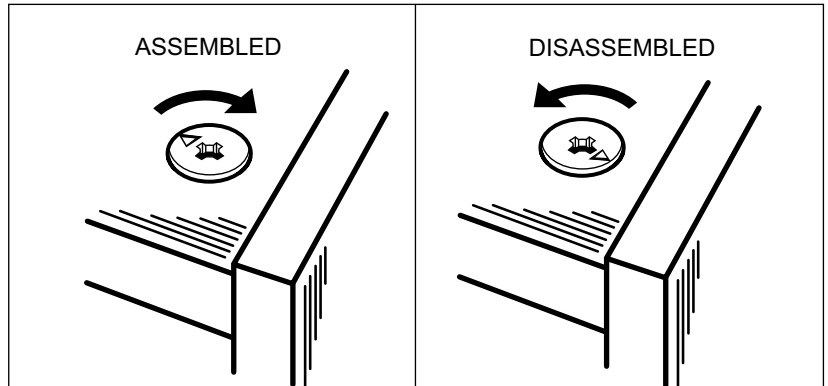
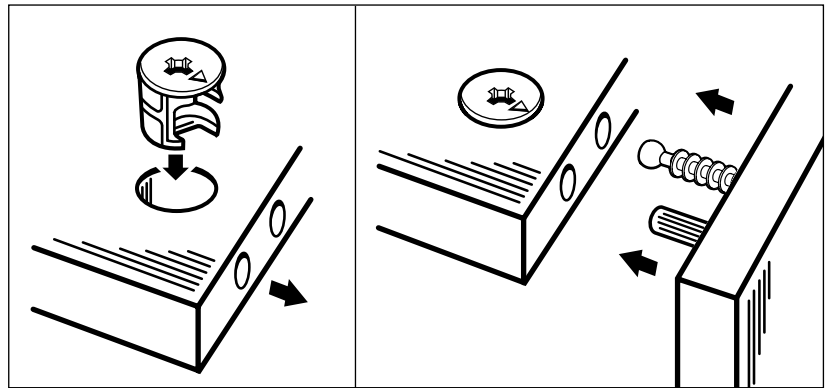
Insert the Minifix Cams into the appropriate holes with the arrow facing outwards as shown.

When screwing post into hole, **Do Not** over tighten. Screw post down until bottom face of post flange just touches board surface.



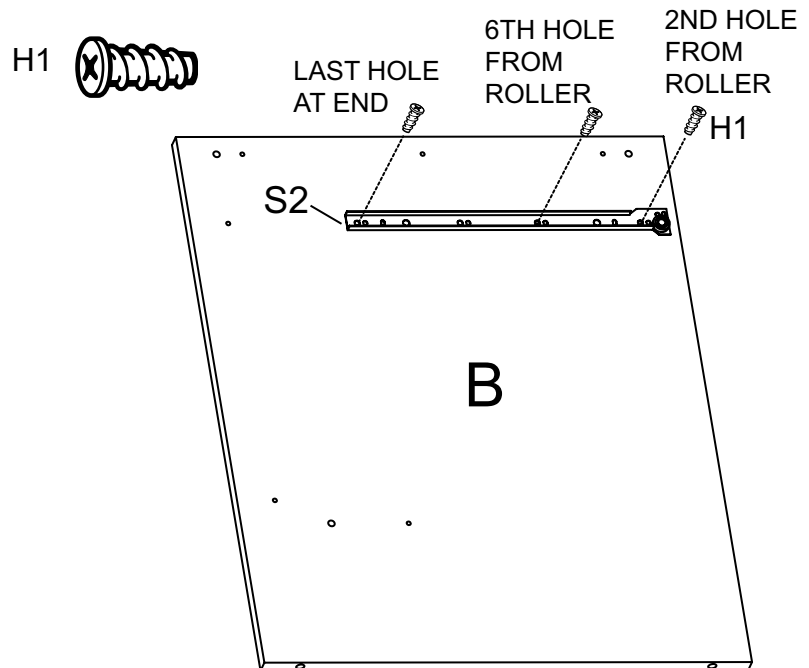
Using the #2 Phillips screwdriver, rotate the Cam Devices a half turn clockwise until snug.

To disassemble, turn the Cam Devices counter-clockwise and remove panels.



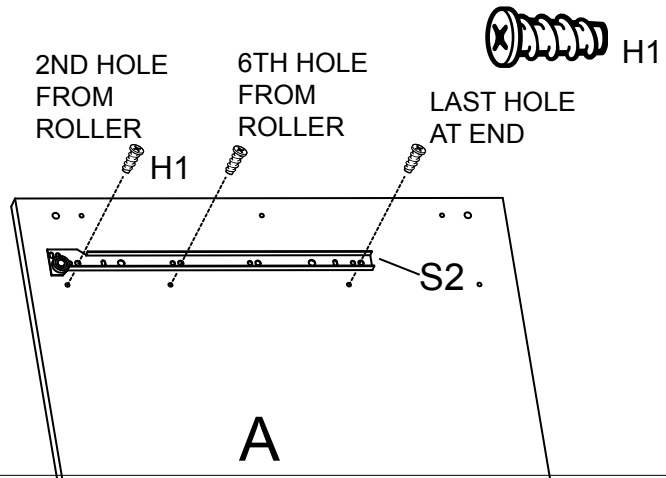
#1

Attach a left Side Channel (S1) to Left Side (A) using Varianta Screws (H1) in the selected pre-drilled holes as shown.



#2

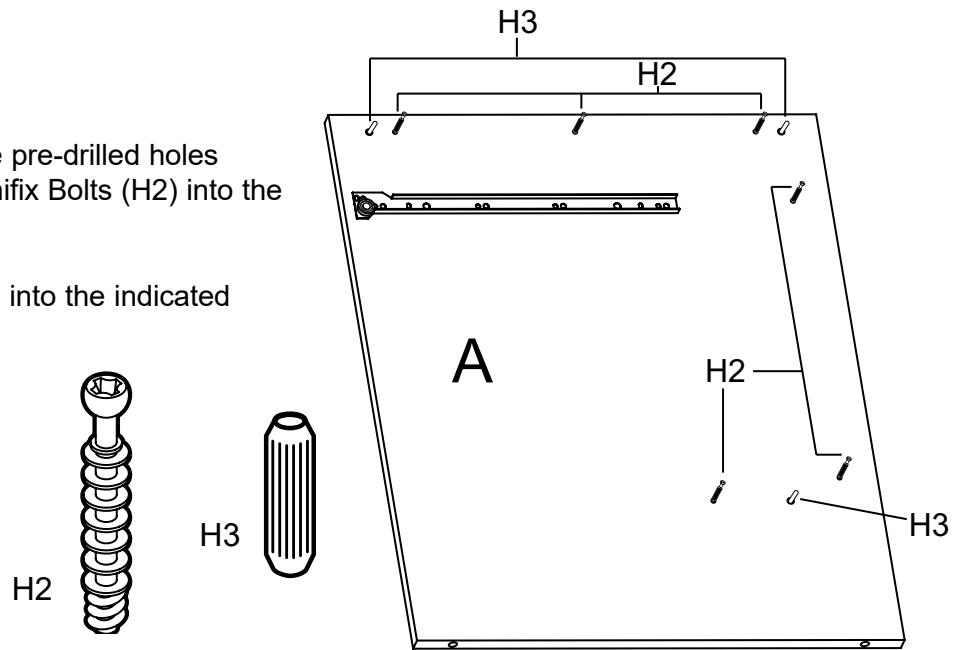
Attach a right Side Channel (S2) to Right Side (B) using Varianta Screws (H1) in the selected pre-drilled holes as shown.



#3

Place the Left Side (A) with the pre-drilled holes facing up as shown. Screw Minifix Bolts (H2) into the indicated holes as shown.

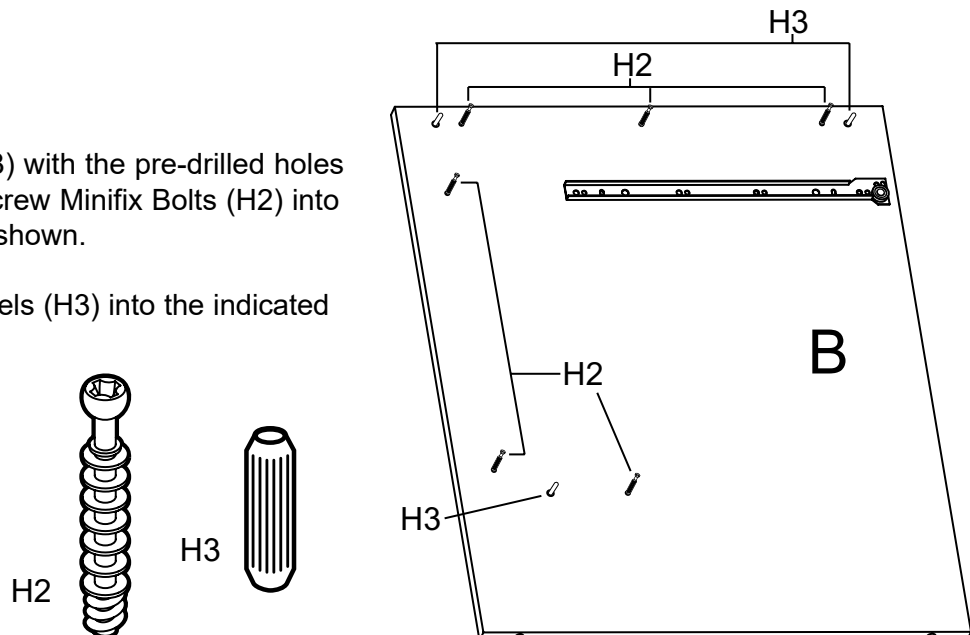
Insert three Wood Dowels (H3) into the indicated holes as shown.



#4

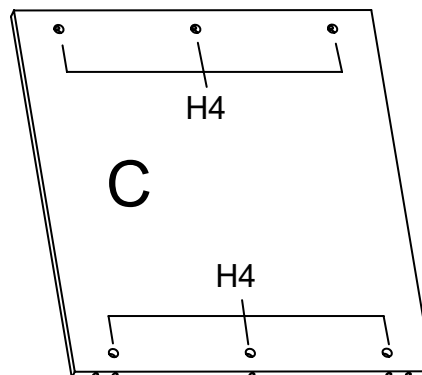
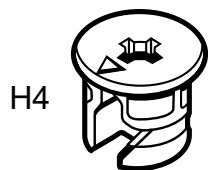
Place the Right Side (B) with the pre-drilled holes facing up as shown. Screw Minifix Bolts (H2) into the indicated holes as shown.

Insert three Wood Dowels (H3) into the indicated holes as shown.



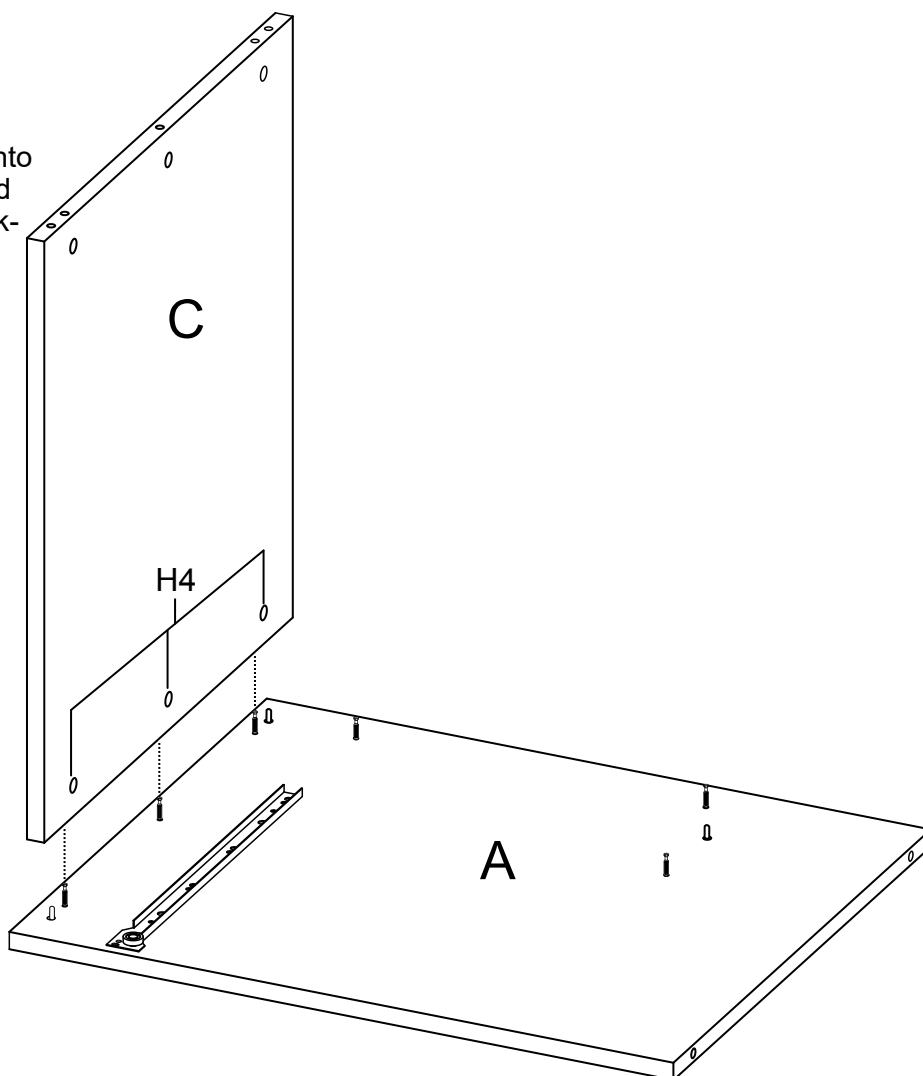
#5

Insert Minifix Cams (H4) into the Worksurface (C) with the arrows of the cams facing out as shown.



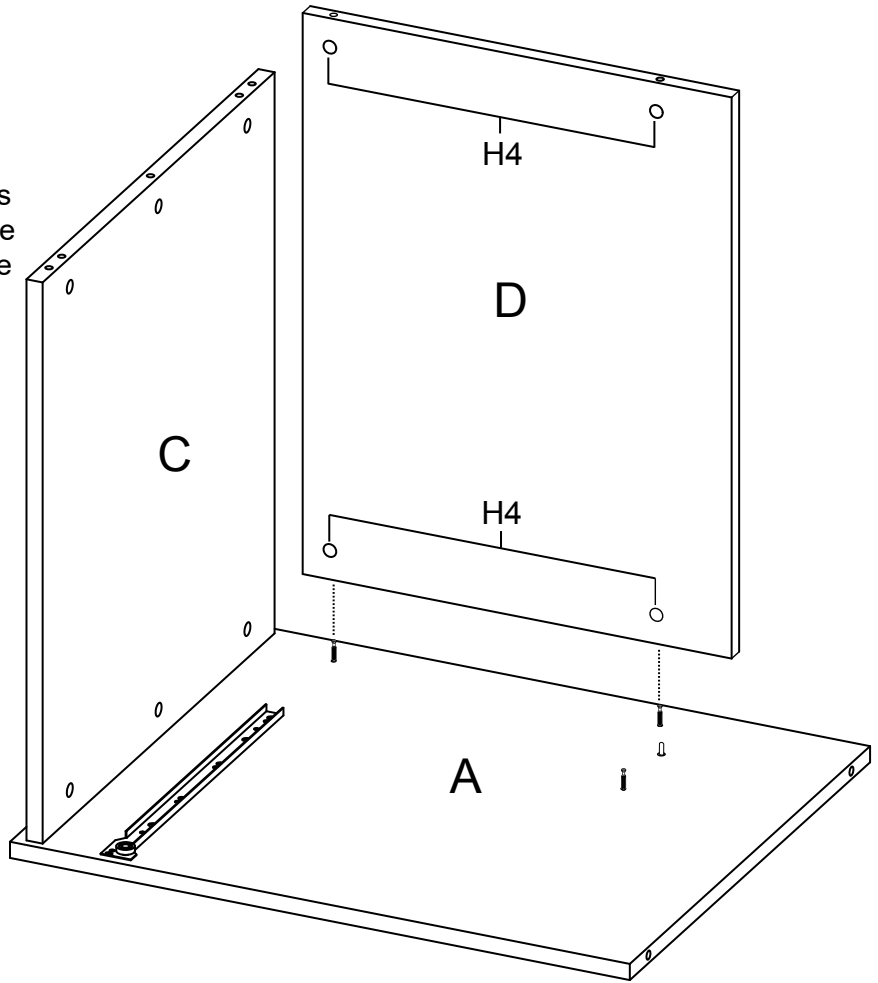
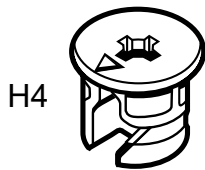
#6

Position the Worksurface (C) onto the bolts of the Left side (A) and turn the Minifix Cams (H4) clockwise to secure in place.



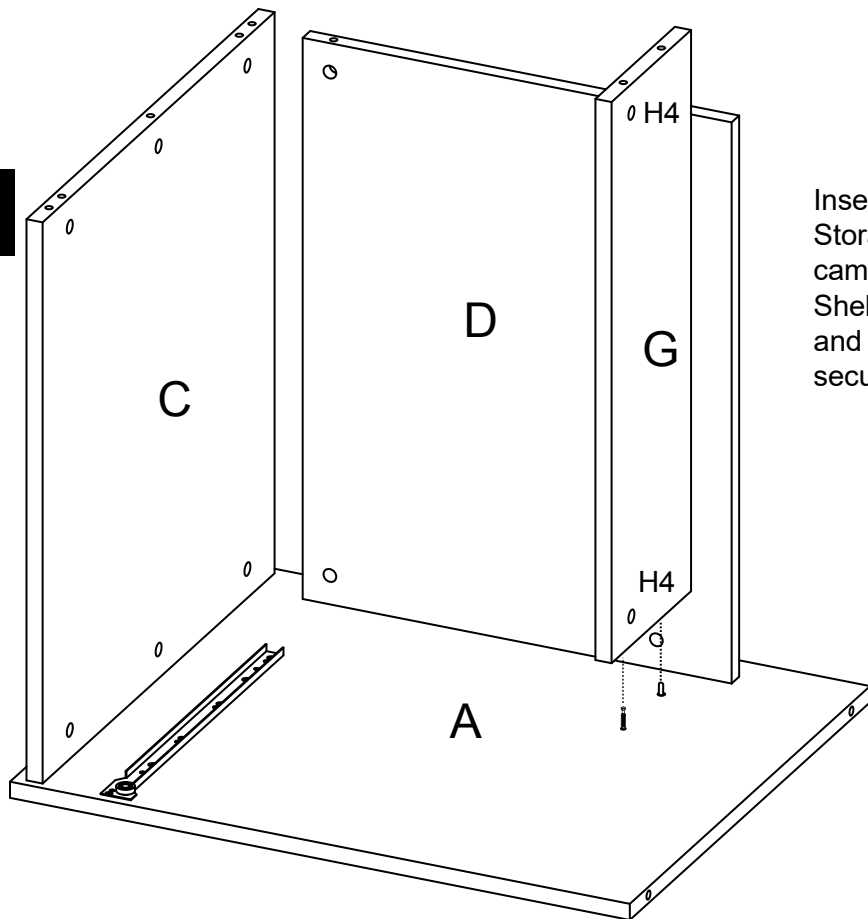
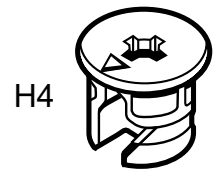
#7

Insert Minifix Cams (H4) into the Back (D) with the arrows of the cams facing out. Position the Back onto the bolts of the Left Side (A) and turn the Minifix Cams clockwise to secure in place.



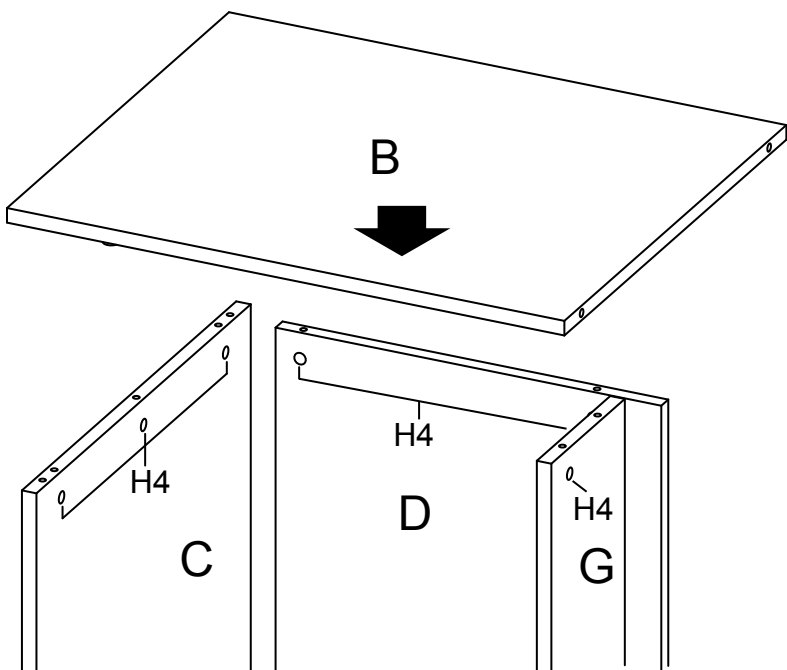
#8

Insert Minifix Cams (H4) into the Storage Shelf (G) with the arrows of the cams facing out. Position the Storage Shelf onto the bolts of the Left Side (A) and turn the Minifix Cams clockwise to secure in place.



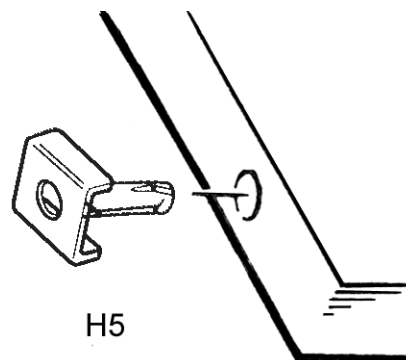
#9

Position the bolts and dowels of the Right Side (B) into the corresponding Cams of the partially assembled unit. Rotate the arrows of the Minifix Cams (H4) clockwise to secure in place.



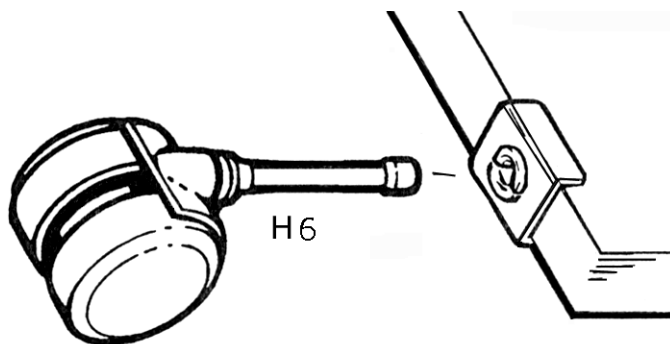
#10

Insert Socket Brackets (H5) into the holes and tap until bottomed out against the wood.



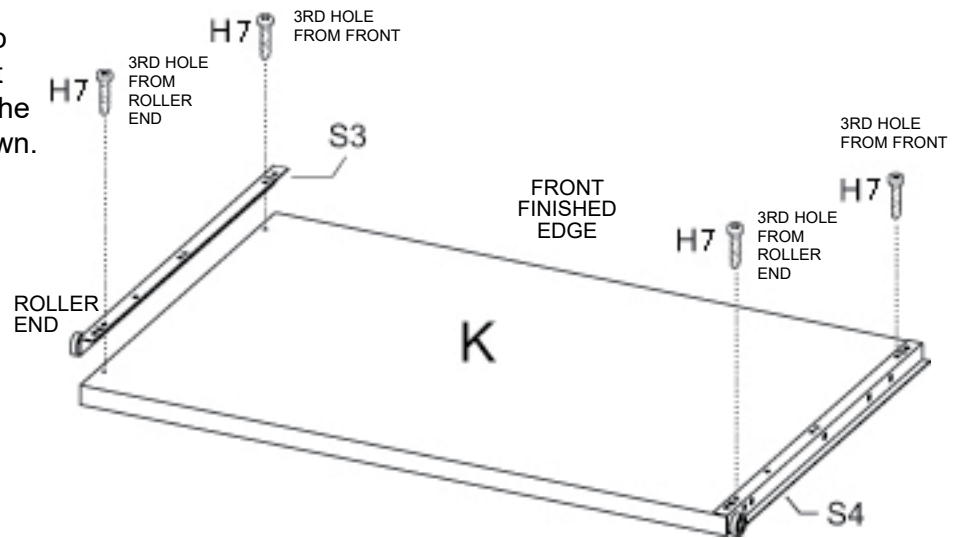
#11

Insert the Casters (H6) into the Caster Sockets and tap into place.



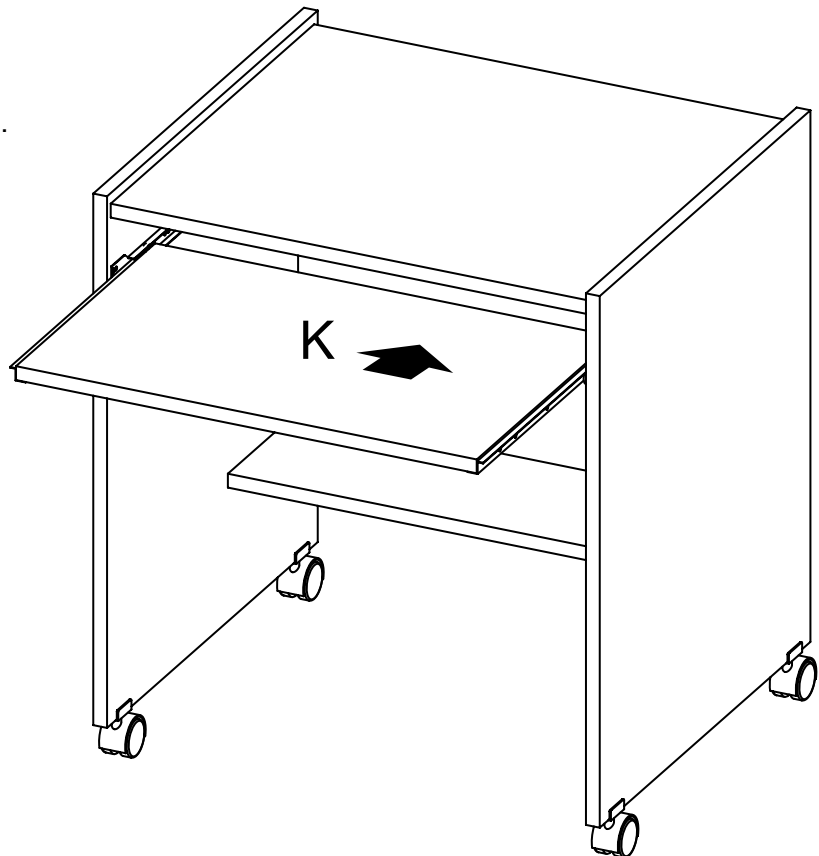
#12

Place the Keyboard Shelf (K) with pre-drilled holes facing up as shown. Attach left and right Shelf Slides (S3 & S4) using the Panhead Screws (H7) as shown.



#13

Insert the Keyboard Shelf (K) into the upper set of Side Channels as shown.



#14

Your CUB Computer Buddy is now completely assembled and ready for use.

